

SMSTB 2,5/ 5-ST

Order No.: 1768794

The figure shows a 10-position version of the product

<http://eshop.phoenixcontact.de/phoenix/treeViewClick.do?UID=1768794>Plug component, nominal current: 12 A, rated voltage: 250 V, pitch:
5.0 mm, no. of positions: 5, type of connection: Screw connection

Commercial data

EAN	4017918034153
Pack	50 Pcs.
Customs tariff	85366990
Weight/Piece	0.00982 KG
Catalog page information	Page 177 (CC-2007)

Product notes

WEEE/RoHS-compliant since:
01/01/2003

<http://www.download.phoenixcontact.com>
Please note that the data given here has been taken from the online catalog. For comprehensive information and data, please refer to the user documentation. The General Terms and Conditions of Use apply to Internet downloads.

Technical data

Dimensions / positions

Height	15.5 mm
Pitch	5 mm
Dimension a	20 mm
Number of positions	5
Screw thread	M 3

Tightening torque, min	0.5 Nm
Technical data	
Insulating material group	I
Rated surge voltage (III/3)	4 kV
Rated surge voltage (III/2)	4 kV
Rated surge voltage (II/2)	4 kV
Rated voltage (III/2)	320 V
Rated voltage (II/2)	630 V
Connection in acc. with standard	EN-VDE
Nominal current I_N	12 A
Nominal voltage U_N	250 V
Nominal cross section	2.5 mm ²
Maximum load current	12 A (with 2.5 mm ² conductor cross section)
Insulating material	PA
Inflammability class acc. to UL 94	V2
Internal cylindrical gage	A3
Stripping length	7 mm

Connection data	
Conductor cross section solid min.	0.2 mm ²
Conductor cross section solid max.	2.5 mm ²
Conductor cross section stranded min.	0.2 mm ²
Conductor cross section stranded max.	2.5 mm ²
Conductor cross section stranded, with ferrule without plastic sleeve min.	0.25 mm ²
Conductor cross section stranded, with ferrule without plastic sleeve max.	2.5 mm ²
Conductor cross section stranded, with ferrule with plastic sleeve min.	0.25 mm ²
Conductor cross section stranded, with ferrule with plastic sleeve max.	2.5 mm ²
Conductor cross section AWG/kcmil min.	24
Conductor cross section AWG/kcmil max	12
2 conductors with same cross section, solid min.	0.2 mm ²
2 conductors with same cross section, solid max.	1 mm ²

2 conductors with same cross section, stranded min.	0.2 mm ²
2 conductors with same cross section, stranded max.	1.5 mm ²
2 conductors with same cross section, stranded, ferrules without plastic sleeve, min.	0.25 mm ²
2 conductors with same cross section, stranded, ferrules without plastic sleeve, max.	1 mm ²
2 conductors with same cross section, stranded, TWIN ferrules with plastic sleeve, min.	0.5 mm ²
2 conductors with same cross section, stranded, TWIN ferrules with plastic sleeve, max.	1.5 mm ²

Certificates / Approvals

Approval logo



CSA

Nominal voltage U _N	300 V
Nominal current I _N	10 A
AWG/kcmil	28-12

CUL

Nominal voltage U _N	300 V
Nominal current I _N	10 A
AWG/kcmil	30-12

UL

Nominal voltage U _N	300 V
Nominal current I _N	10 A
AWG/kcmil	30-12
Certification	CSA, CUL, GOST, UL

Accessories

Item	Designation	Description
Tools		
1205053	SZS 0,6X3,5	Screwdriver, bladed, matches all screw terminal blocks up to 4.0 mm ² connection cross section, blade: 0.6 x 3.5 mm, without VDE approval

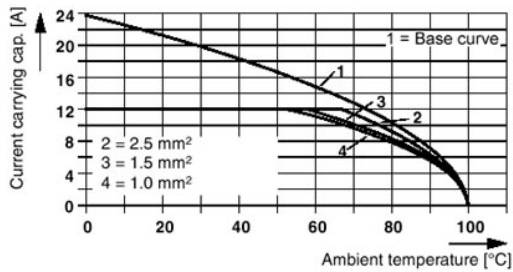
Additional products

Item	Designation	Description
General		
0707138	DFK-MSTB 2,5/ 5-G	Header, nominal current: 12 A, rated voltage: 320 V, pitch: 5.0 mm, no. of positions: 5, mounting: Direct mounting
1899870	EMSTBA 2,5/ 5-G	Header, nominal current: 12 A, rated voltage: 250 V, pitch: 5.0 mm, no. of positions: 5, mounting: press in
1914881	EMSTBVA 2,5/ 5-G	Header, nominal current: 12 A, rated voltage: 200 V, pitch: 5.0 mm, no. of positions: 5, mounting: press in
1846548	MDSTBA 2,5/ 5-G	Header, nominal current: 10 A, rated voltage: 250 V, pitch: 5.0 mm, number of positions: 5, mounting type: soldering
1845811	MDSTBVA 2,5/ 5-G	Header, nominal current: 10 A, rated voltage: 250 V, pitch: 5.0 mm, number of positions: 5, mounting type: soldering
1754494	MSTB 2,5/ 5-G	Header, nominal current: 12 A, rated voltage: 250 V, pitch: 5.0 mm, no. of positions: 5, mounting: Soldering
1768215	MSTB 2,5/ 5-G-LA	Header, nominal current: 12 A, rated voltage: 250 V, pitch: 5.0 mm, no. of positions: 5, mounting: Soldering
1757501	MSTBA 2,5/ 5-G	Header, nominal current: 12 A, rated voltage: 250 V, pitch: 5.0 mm, no. of positions: 5, mounting: Soldering
1770517	MSTBA 2,5/ 5-G-LA	Header, nominal current: 12 A, rated voltage: 250 V, pitch: 5.0 mm, no. of positions: 5, mounting: Soldering
1753495	MSTBV 2,5/ 5-G	Header, nominal current: 12 A, rated voltage: 250 V, pitch: 5.0 mm, no. of positions: 5, mounting: Soldering
1755545	MSTBVA 2,5/ 5-G	Header, nominal current: 12 A, rated voltage: 250 V, pitch: 5.0 mm, no. of positions: 5, mounting: Soldering
1736085	MSTBW 2,5/ 5-G	Header, nominal current: 12 A, rated voltage: 250 V, pitch: 5.0 mm, no. of positions: 5, mounting: Soldering
1769269	SMSTB 2,5/ 5-G	Header, nominal current: 12 A, rated voltage: 250 V, pitch: 5.0 mm, no. of positions: 5, mounting: Soldering
1769832	SMSTBA 2,5/ 5-G	Header, nominal current: 12 A, rated voltage: 250 V, pitch: 5.0 mm, no. of positions: 5, mounting: Soldering

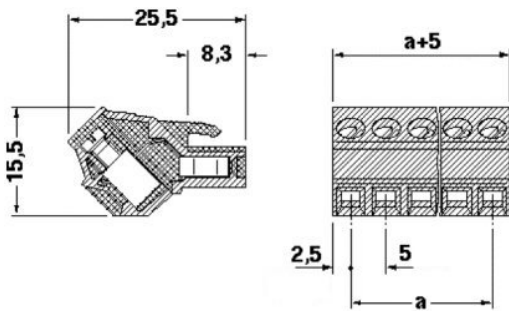
Drawings

Diagram

Plug: SMSTB 2,5/5-ST(F)-(-5,08)
Header: MSTB(A) 2,5/5-G(F)-(-5,08)



Dimensioned drawing



Address

PHOENIX CONTACT GmbH & Co. KG
Flachsmarktstr. 8
32825 Blomberg, Germany
Phone +49 5235 3 00
Fax +49 5235 3 41200
<http://www.phoenixcontact.de>



© 2008 Phoenix Contact
Technical modifications reserved;